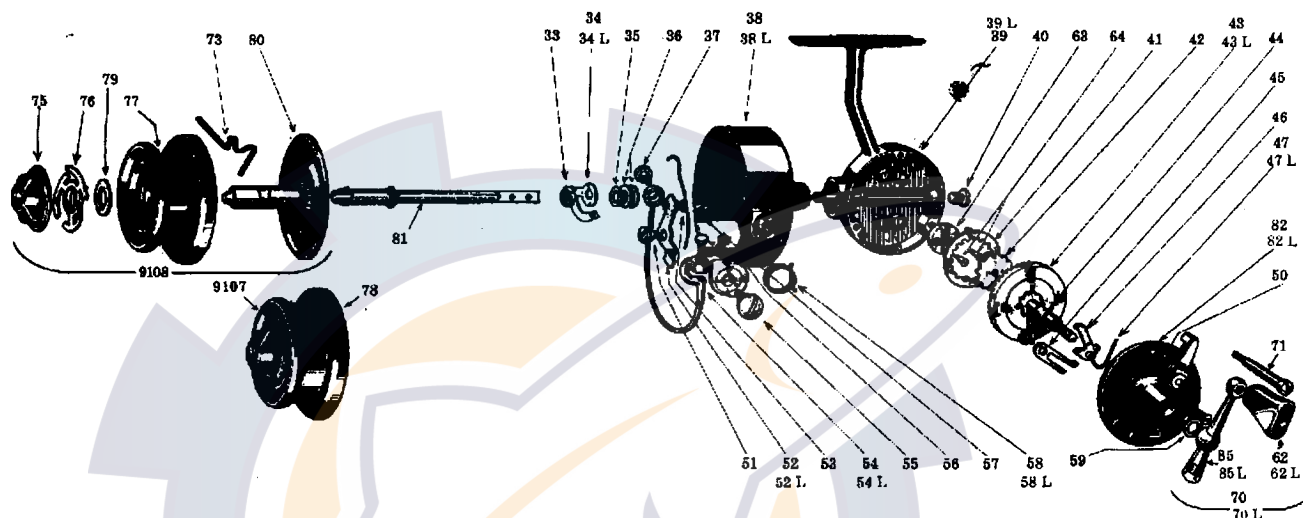




# MITCHELL 314-315



Red items for left-hand reels only.

No.	Part Name	Price	No.	Part Name	Price	No.	Part Name	Price
33	Hex nut	.10	47	Anti-reverse spring (314)	.10	70L	Screw-lock handle, complete (315)	1.50
34	Bail trip (314)	.25	47L	Anti-reverse spring (315)	.10	71	Handle knob screw	.15
34L	Bail trip (315)	.25	50	Cover plate screw	.05	73	Click spring	.10
35	Trip washer	.05	51	Trip lever screw	.10	75	Wing nut	.15
36*	Shims to adjust rotating head (set of 3)	.05	52	Trip lever (314)	.25	76	Brake spring	.25
37	Bail screw #2	.15	52L	Trip lever (315)	.25	77	Spool shell, large capacity	1.50
38	Rotating head (314)	3.25	53	Trip lever spring	.10	78	Spool shell, small capacity	1.50
38L	Rotating head (315)	3.25	54	Bail (314)	2.75	79	Fiber washer (for large capacity spool only)	.05
39	Housing (314)	3.75	54L	Bail (315)	2.75	80	Spool spindle	1.00
39L	Housing (315)	3.75	55	Bail screw #1	.20	81	Axle	.75
40	Lubrication cover screw	.10	56	Line guide	.25	82	Cover plate (314)	2.50
41	Planetary gear	.50	57	Line guide screw	.10	82L	Cover plate (315)	2.50
42	Satellite gear	.25	58	Bail spring (314)	.10	85	Handle shank (314)	1.25
43	Driving gear (314)	2.00	58L	Bail spring (315)	.10	85L	Handle shank (315)	1.25
43L	Driving gear (315)	2.00	59	Handle spacer	.05	9107	Spool, complete, small capacity	2.50
44	Cam spring screw	.05	62	Handle knob (314)	.15	9108	Spool, complete, large capacity	2.50
45	Cam spring	.10	62L	Handle knob (315)	.15	9213	Manual pick-up (314 only)	1.50
46	Anti-reverse dog	.15	63	Slide	.15			
			64	Slide screw	.05			
			70	Screw-lock handle, complete (314)	1.50			

\*Use only the number of shims necessary for smoothest operation.



THE GARCIA CORPORATION • ALFRED AVENUE • TEANECK • NEW JERSEY